



LDI AI-Temp and Zentron 8 Temperature Scanning Kiosks

Industry-leading, automated personnel check-in kiosk.





Personnel Management and Temperature Scanning Kiosks

Non-contact kiosks automatically read body temperature in seconds, with optional facial recognition. The Zentron kiosk range is designed to provide a safe environment for your employees, customers and visitors.

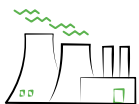
Screen all individuals before entry to public and private premises such as;



Office buildings



Supermarkets and grocery stores



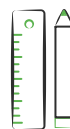
Manufacturing plants and factories



Hotels and airports



Healthcare settings



Schools

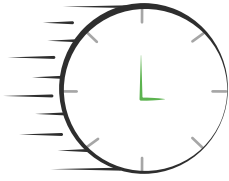


Retail stores and shopping malls



Universities

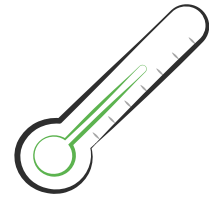
Key features of the Temperature Kiosk



Reads temperatures
in ~ 1 second



Optional mask detection



Verbal and on-screen
alerts for abnormal
temperature reading



Contact tracing is made
easy with reports and logs



Email alerts notifying
members of staff about high
temperatures



Optional ID badge
printing

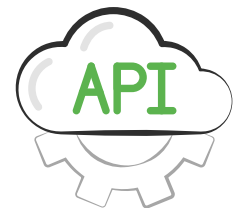


Face ID

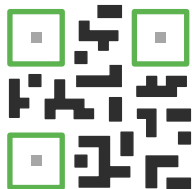
Optional facial recognition to
recognise and allow entry to
vetted individuals



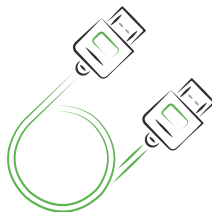
Customisable CDC
questionnaires for screening
users - coming soon!



APIs - Integrate with other
applications to send scan
information and update user
database



Scan QuickPass QR code to
sign-in - coming soon!
* Available on Zentron 8 (Gen
2) model only



Monitor your device from
another screen with the HDMI
output function . * Available on
Zentron 8 (Gen 2) model



1-year standard warranty
with optional upgrade to
lifetime warranty

Accurate temperature detection

- ✓ Reads temperature in ~ 1 second
- ✓ Top of the range German manufactured temperature sensor
- ✓ Marginal measurement error of $\pm 0.5^{\circ}\text{C}/\pm 0.9^{\circ}\text{F}$
- ✓ The recommended distance for the most accurate readings is 0.5 metres, with 1 metre being the furthest distance where temperature can be read Temperature
- ✓ threshold for abnormal temperatures is easily adapted in the application settings

Durable, commercial-grade hardware



- ✓ 8-inch IPS full-view LCD display
- ✓ Commercial-grade, waterproof and dust-proof design which is durable and reliable
- ✓ Built-in speakers provide audio alerts including warnings for abnormal temperatures and to request that users wear a mask
- ✓ Integrated RFID reader for reading access cards and fobs.

Smart facial recognition

- ✓ Industrial-grade binocular wide dynamic camera, night infrared and LED dual photo flood lamp
- ✓ Face recognition speed is ~ 1 second
- ✓ Database capacity for 30,000 faces
- ✓ Supports recognition and comparison of faces with masks
- ✓ The 1:1 comparison recognition rate is more than 99.7%, the 1:N comparison recognition rate is more than 96.7% at a 0.1% misrecognition rate, and the live detection accuracy rate is 98.3% at a 1% mis rejection rate

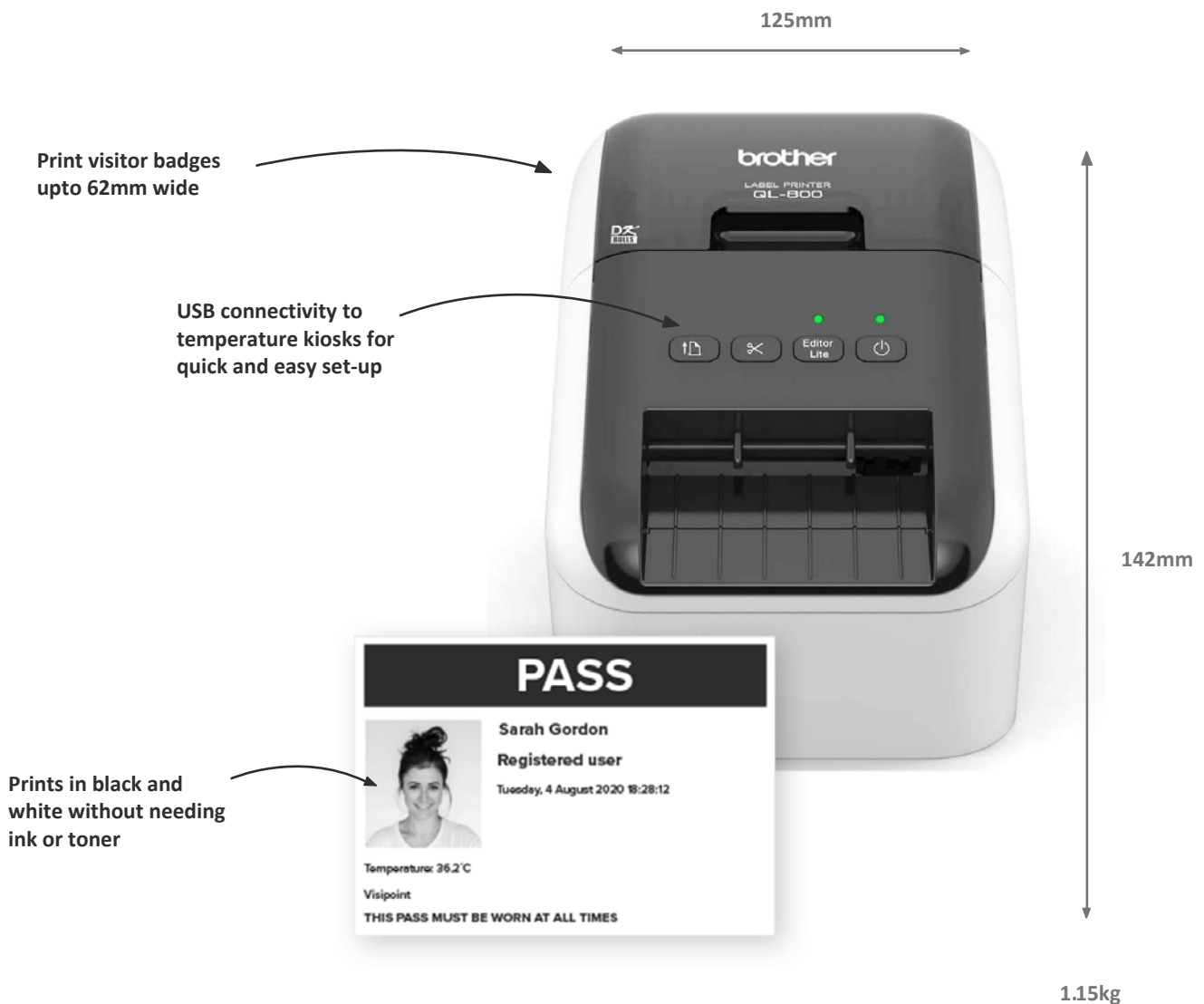
Email alerts

The email alerts feature allows the system to send an email to a specified set of email addresses whenever a scan fails due to high temperature, no mask, or both.

ID badge printing

The badge printing feature allows the system to print a badge whenever a successful scan is completed. The criteria for when a badge is printed and what is displayed on the badge can be set in print badge settings.

In order to print badges, connect a Brother QL-800 printer to the kiosk via USB. The badges are designed to be printed on DK-2205 / DK-22205 continuous paper label rolls.



Battery-powered configuration for Zentron kiosks

LamasaTech has engineered a new battery pack design to power the Zentron kiosks for 12-24 hours of continuous battery operation. While the design has been stress tested to cover more than 24 hours, we benchmark the system for 12 hours depending on usage, meaning your battery can be charged at night to provide continuous power throughout the day.

- ✓ Cable-free solution perfect for any indoor location
- ✓ Sleek streamlined design
- ✓ 12+ hours continuous operation
- ✓ Lockable case prevents tampering and secures the power button and plugs
- ✓ Quick and easy removal of battery from case for charging or charge the battery while the device is in use
- ✓ Compatible with LD-AITemp-Device (Gen 1) and Zentron 8 (Gen 2) kiosk models
- ✓ Pairs with 3 kiosk configurations - attach to the floor stand*, secure to a wall for use with a wall mount kiosk, or use with a desk mount kiosk

*The battery pack and casing fits our current floor stand design. If you have an older model, you may require a new stand for compatibility.



LD-AITemp-Device (Gen 1) - Kiosk Features

Facial recognition camera

Capture photos for visitor badges directly from the device.

Facial recognition allows for quick and easy sign-in for registered users in the database.

Ruggedized

Ruggedized, commercial-grade hardware designed for use in public environments.



Temperature measurement

A built-in temperature reader that uses thermal imaging to accurately read your temperature

Easy personalization

On-screen personalization

Zentron 8 (Gen 2) - Kiosk Features

Temperature measurement

A detachable temperature reader that uses thermal imaging to accurately read your temperature

Touch screen

The kiosk can be operated non-touch where non-contact scanning is preferred

HDMI output

This allows the device screen to be mirrored to another screen for monitoring, particularly useful for reception or security staff to monitor the device from behind their desk/screen

Ruggedised

Ruggedised, commercial-grade hardware designed for use in public environments



Facial recognition camera

Capture photos for visitor badges directly from the device.

Facial recognition allows for quick and easy sign-in for registered users in the database

Easy personalisation

On-screen personalisation

Multi-frequency RFID reader

Sign-in using your existing access cards and fobs. Reads a large variety of frequencies including HID, 13.56Mhz, 125Khz, Mifare, NFC, PAC and Paxton.

QR code reader

The built-in QR code reader scans QR code entry passes

Mounting and Configuration

Mount the device onto an existing surface or select a desk stand, freestanding floor stand or wall mount.



Desktop mount & kiosk



Surface mount

Floor stand & kiosk



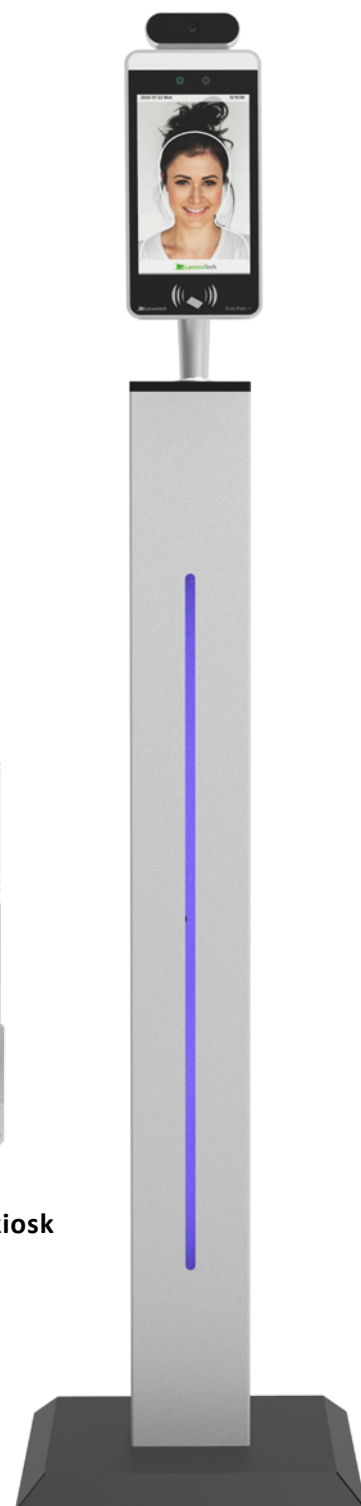
Badge printer & mount - can be attached to the floor stand or directly onto a wall



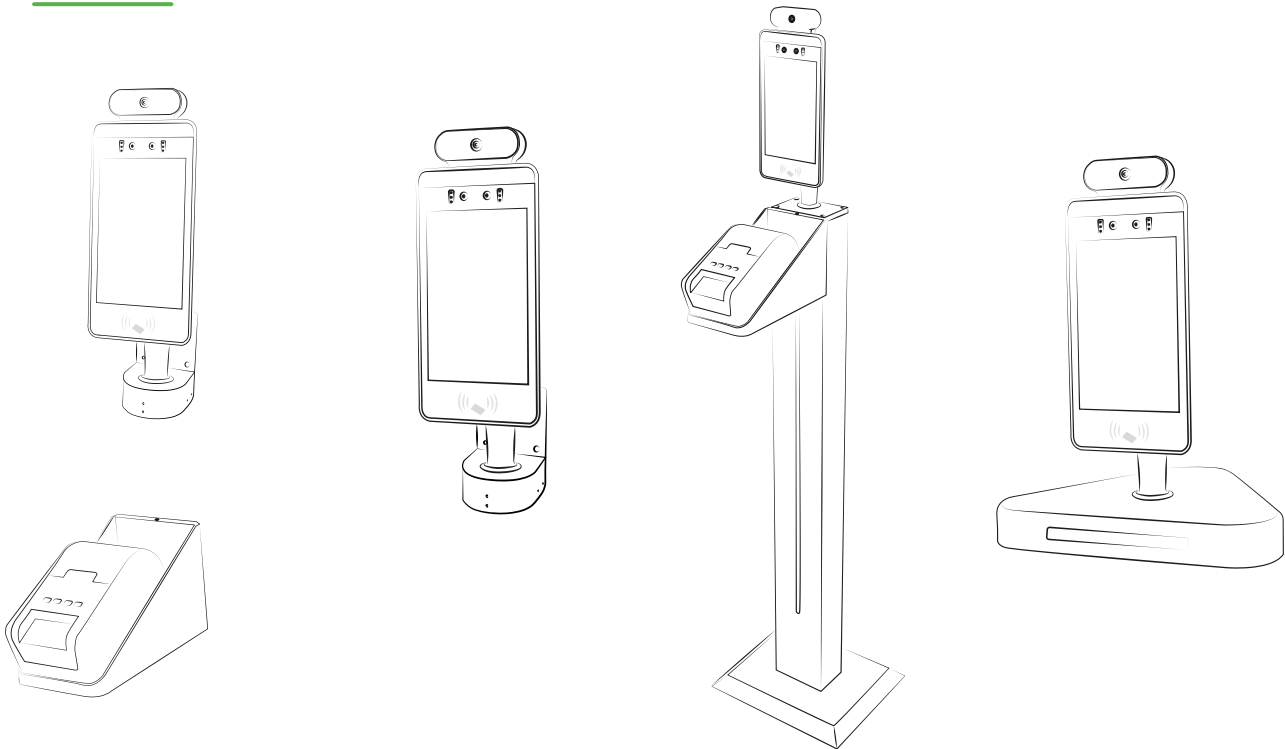
Zentron Battery Pack with Case



Wall mount & kiosk



Kiosk placement



Do not place the device directly :

- Facing the sun or in a location where the sun is directly facing the person
- In front or near an air outlet of an air conditioning or radiator device during measurement
- In front or near to strong infrared emitting light
- In a room where heating/cooling ducts are in the ceiling or directly below ceiling ducts

The above can cause changes to the forehead temperature. Measurements should be taken in a stable environment.

Do not measure body temperature in an environment with:

- Strong electromagnetic interference (examples include places close to a working microwave, induction appliances) as EM interference may cause errors in the reading or even device failure.

Product Codes

LD-AITemp-Device (Gen 1)

Model Name	Product Code	Product Notes
Temperature Pass Management & Face Recognition Surface Fixed Terminal	LD-AITemp-Device	Kiosk Device Only – On Pole To Be Mounted To Existing Surface
Temperature Pass Management & Face Recognition Wall Terminal	LD-AITemp-Wall Device	Kiosk Device With Wall Mount
Temperature Pass Management & Face Recognition Terminal on a Pedestal	LD-AITemp-FMKiosk	Kiosk Device With Freestanding Floor Mount
Temperature Pass Management & Face Recognition Terminal on a Desk Stand	LD-AITemp-DMKiosk	Kiosk Device With Portable Desktop Stand
Temperature Kiosk Pedestal Floor Mount	LD-AITemp-Floor-Mount	Freestanding Floor Mount Only
Temperature Kiosk Desktop Stand	LD-AITemp-Desk-Mount	Desktop Stand Only

Product Codes

Zentron 8 (Gen 2)

Model Name	Product Code	Product Notes
Zentron 8" Visitor and Employee Sign-In Kiosk with Temperature Measurement fixed terminal	LT-Zentron8-T	Zentron 8 Kiosk Device Only – On Pole To Be mounted To Existing Surface
Zentron 8" Visitor and Employee Sign-In Kiosk with Temperature Measurement on Desk Stand	LT-Zentron8-T-DESK	Kiosk Device With Portable Desktop Stand
Zentron 8" Visitor and Employee Sign-In Kiosk with Temperature Measurement on a Pedestal	LT-Zentron8-T-FLOOR	Kiosk Device With Freestanding Floor Mount
Zentron 8" Visitor and Employee Sign-In Kiosk with Temperature Measurement Wall Terminal	LT-Zentron8-T-RT-WALL	Kiosk Device With Wall Mount

Accessories

Wall Mount	LT-Zentron-RTWall-ACC	Wall Mount
Printer Mount	LT-Zentron-Pmount-ACC	Printer Mount
Zentron Battery Pack with Case, Cables and Charge Adapter	LT-Zentron-BA50-ACC	Battery pack and casing
Zentron additional battery pack only	LT-Zentron-BP50-PRT	Battery pack only

Specifications - LD-AITemp-Device (Gen 1)

Model

Temperature Pass Management Module & Face Recognition Kiosk

Camera

Resolution	2 million pixels
Type	Binocular wide dynamic camera
Aperture Focusing	F2.4
distance White balance	50-150cm
Photo	Auto
flood light	LED and IR dual photot flood light

Screen

Size	8.0 inch IPS LCD screen
Resolution Touch	800x1280
	Not supported (optional upgrade)

Processor

CPU	RK3288 quad-core (optional upgrades -
Storage	RK3399 six-core, MSM8953 eight-core)
	EMMC 8G

Interface

Network module	Ethernet and wireless (WIFI)
Audio	2.5W/4R Speakers
USB	1 USB OTG, 1 USB HOST standard A port
Serial Communication	1 RS232 Serial Port
Relay Output	1 Door open Signal Output
Wiegand	One Wiegand 26/34 output, one Wiegand 26/34 output.
Upgrade button	Support Uboot upgrade button
Wired network	1 RJ45 Ethernet socket

Functions

Card reader	Upto 30,000
Face database library	Support
1:N face recognition	Support
1:1 face comaprison	Support

Functions cont.

Stranger detection	Supported
Identify distance	Supported
Auto-update	Over the air or via USB
Deployment method	Support public cloud deployment, or standalone.
Alerts feature	Email notifications for high temperature readings.
ID badge printing	The badge printing feature allows the system to print a badge whenever a successful scan is completed.
Public APIs	Register and delete faces, upload scanned records

Infrared Thermal Imaging Module

Temperature detection	Supported – Optional feature which can be disabled if not required
Temperature detection distance	1 meter (3.2 feet) (optimal distance is 0.5 meter)
Temperature error rate	± 0.5°C, ± 0.9°F
Temperature measurement range	10°C ~ 42°C, 50 ~ 107.6°F
Thermal field of view	32° x 32°
Normal temperature confirmation	Supported – Optional settings for verbal confirmation message and success light can be configured.
Abnormal temperature alarm	Supported – Temperature threshold can be configured as well as optional settings for verbal warning message and warning light

General Parameters

Power	Input: 100-240V Output: 12V (±10%)
Operating temperature	0°C ~ 60°C, 32°F ~ 140°F
Storage temperature	-20°C ~ 60°C, -4°F ~ 140°F
Power Consumption	13.5W (max)
Installation method	4 configurations available – surface, wall mount, desktop stand mount, freestanding pedestal mount

General Parameters
cont.

Size	H260.18 x W132.88 x D25 (mm)
Packing list	Kiosk terminal (1), power adapter for your region (1), mount of choice (1)

Modules

Standard RFID reader	Reads standard Mifare cards, 13.56 Khz 125 Mhz (Wiegand connection)
-------------------------	--

Specifications - Zentron 8 (Gen 2)

Model	Temperature Pass Management Module & Face Recognition Kiosk	
Camera	Resolution	2 million pixels
	Type	Binocular wide dynamic camera
	Aperture Focusing	F2.4
	distance White	50-150cm
	balance Photo	Auto
	flood light	LED and IR dual photot flood light
Screen	Size	8.0 inch IPS LCD screen
	Resolution Touch	800x1280
		PCAP multitouch screen
Processor	CPU	
	Storage	RK3288 quad-core
		EMMC 8G
Interfaces	Network module	Ethernet and wireless (WIFI)
	Audio	2.5W/4R Speakers
	USB	1 USB OTG, 1 USB HOST standard A port
	Serial Communication	1 RS232 Serial Port
	Relay Output	1 Door open Signal Output
	HDMI output	Yes (Mirror mode)
	Wiegand	One Wiegand 26/34 output, one Wiegand 26/34 output.
	Upgrade button	Support Uboot upgrade button
	Wired network	1 RJ45 Ethernet socket
	Wireless network	2.4Ghz/5Ghz frequencies supported
	Functions	Card reader
Face database libary		Supported
1:N face recognition		Supported
1:1 face comaprison		Supported

Functions cont.

Stranger detection	Supported
Identify distance	Supported
Auto-update	Over the air or via USB
Deployment method	Support public cloud deployment, or standalone.
Alerts feature	Email notifications for high temperature readings.
ID badge printing	The badge printing feature allows the system to print a badge whenever a successful scan is completed.
Public APIs	Register and delete faces, upload scanned records

Infrared Thermal Imaging Module (German manufactured)

Temperature detection	Supported – Optional feature which can be disabled if not required
Temperature detection distance	1 meter (3.2 feet) (optimal distance is 0.5 meter)
Temperature error rate	$\pm 0.5^{\circ}\text{C}$, $\pm 0.9^{\circ}\text{F}$
Temperature measurement range	$10^{\circ}\text{C} \sim 42^{\circ}\text{C}$, $50 \sim 107.6^{\circ}\text{F}$
Thermal field of view	$32^{\circ} \times 32^{\circ}$
Normal temperature confirmation	Supported – Optional settings for verbal confirmation message and success light can be configured.
Abnormal temperature alarm	Supported – Temperature threshold can be configured as well as optional settings for verbal warning message and warning light

General Parameters

Power	Input: 100-240V Output: 12V ($\pm 10\%$)
Operating temperature	$0^{\circ}\text{C} \sim 60^{\circ}\text{C}$, $32^{\circ}\text{F} \sim 140^{\circ}\text{F}$
Storage temperature	$-20^{\circ}\text{C} \sim 60^{\circ}\text{C}$, $-4^{\circ}\text{F} \sim 140^{\circ}\text{F}$
Power Consumption	13.5W (max)
Installation method	4 configurations available – surface, wall mount, desktop stand mount, freestanding pedestal mount

General Parameters

cont.

Size	H269.18 x W132.88 x D25 (mm)
Packing list	Kiosk terminal (1), power adapter for your region (1), mount of choice (1)

Modules

QR code reader	Dedicated 1D/2D barcode reader active mode
Multi-frequency RFID reader	<p>ISO14443A: LEGIC Advant1), MIFARE Classic EV12), MIFARE Classic, MIFARE Mini, MIFARE DESFire EV1, MIFARE DESFire EV22) , MIFARE Plus S, X, MIFARE Pro X3), MIFARE Smart MX3) , MIFARE Ultralight, MIFARE Ultralight C, MIFARE Ultralight EV1</p> <p>ISO14443B: Calypso3), Calypso Innovatron protocol3), CEPAS3), HID iCLASS1), Moneo3), Pico Pass4) , SRI4K, SRIX4K, SRI512, SRT512</p> <p>ISO18092 ECMA-340: NFC Forum Tag 1-5, NFC Peer-to-Peer, Sony FeliCa5), NFC Active and passive communication mode</p> <p>ISO15693: EM4x333), EM4x353), HID iCLASS1), HID iCLASS SE/SR1), ICODE SLI, LEGIC Advant1) , M24LR16/64, MB89R118/119, SRF55Vxx (my-d vicinity)3), Tag-it, PicoPass4)</p> <p>125 kHz, 134.2 kHz: AWID, Cardax, CASI-RUSCO, Deister6), EM4100, 4102, 42007), EM4050, 4150, 4450, 4550, EM43058), FDX-B, EM4105, HITAG 19), HITAG 29), HITAG S9), ICT8), IDTECK, Isonas8), Keri, Miro, Nedap6), PAC, Pyramid, Q5, T5557, T5567, T5577, TIRIS/HDX, TITAN (EM4050), UNIQUE, ZODIAC</p>

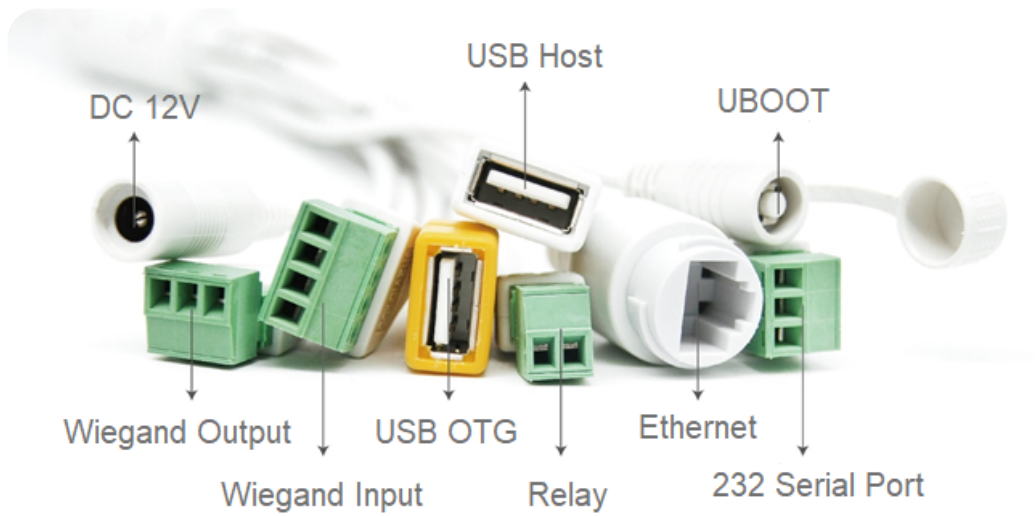
Modules cont.

Multi-frequency
RFID reader cont.

Cotag, G-Prox6), HID DuoProx II, HID ISO Prox II, HID Micro Prox, HID ProxKey III, HID Prox, HID Prox II, Indala, ioProx, Nexwatch

HID iCLASS10), HID iCLASS SE/SR/SE-OS(CSN and Facility Code/PAC)10) , HID iCLASS Elite & SE Elite

Wire Interface Definition



The interface of each terminal is defined as follows:

Relay Terminal electrical definition

Pin 1	COM
Pin 1	N220

Wiegand Input Terminal electrical definition

Pin	1	D0_IN
Pin	2	D1_IN
Pin	3	12V
Pin 4		GND

Wiegand Output Terminal electrical definition

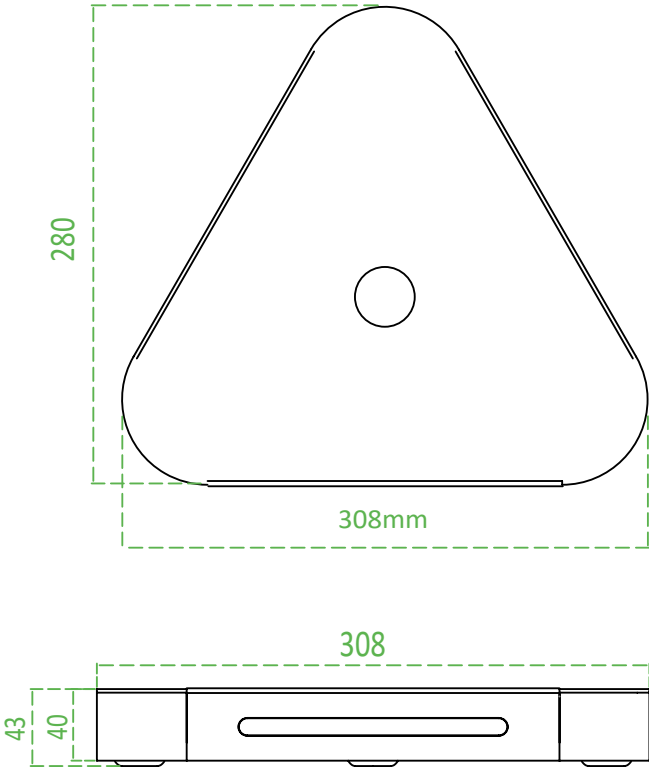
Pin	1	D0_OUT
Pin	2	D1_OUT
Pin 3		GND

232 Serial Port Terminal electrical definition

Pin	1	232_RX1
Pin	2	232_TX1
Pin 3		GND

Technical Drawings

Desk Mount



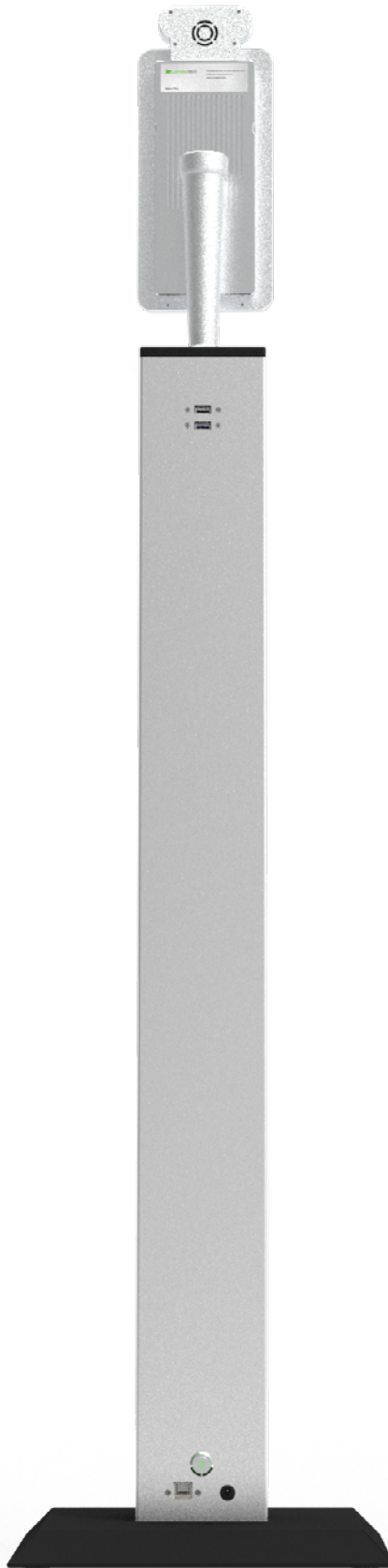
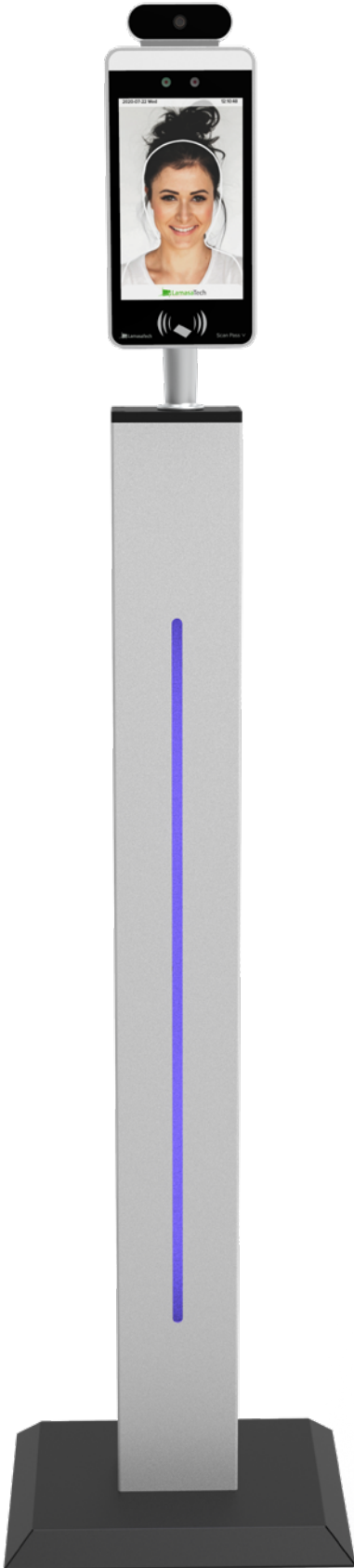
Technical Drawings

Surface Mount

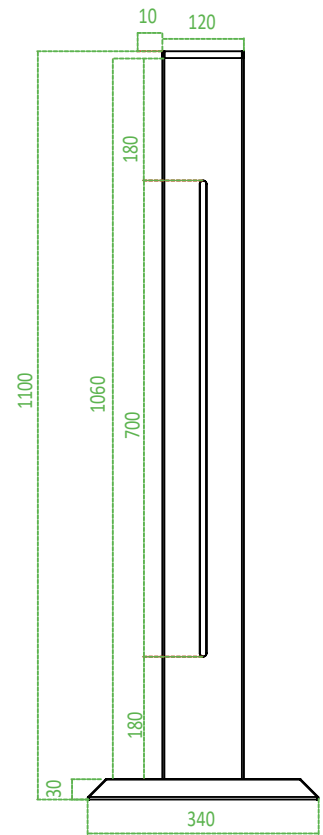


Technical Drawings

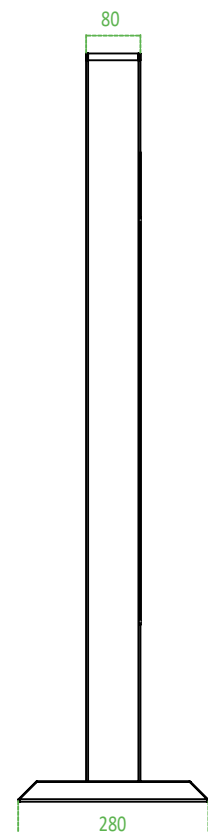
Freestanding floor mount illustration



Front view

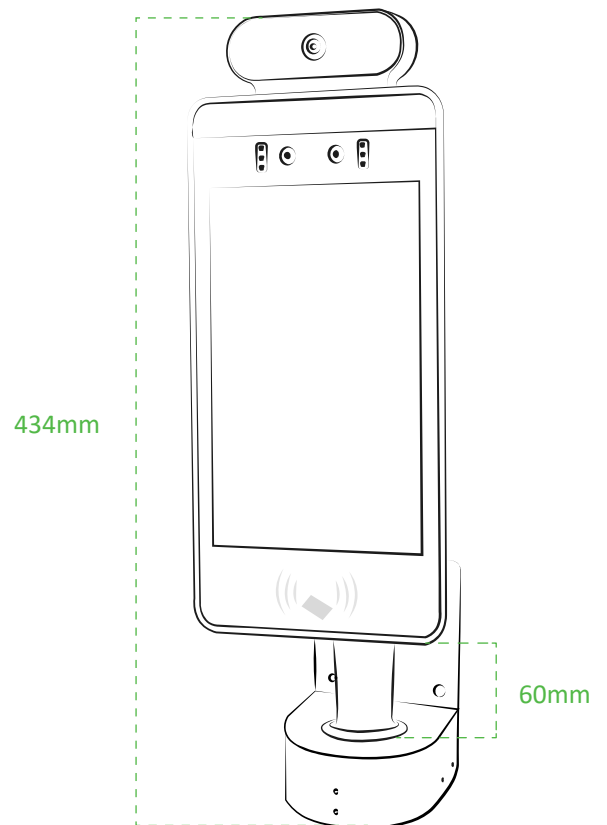
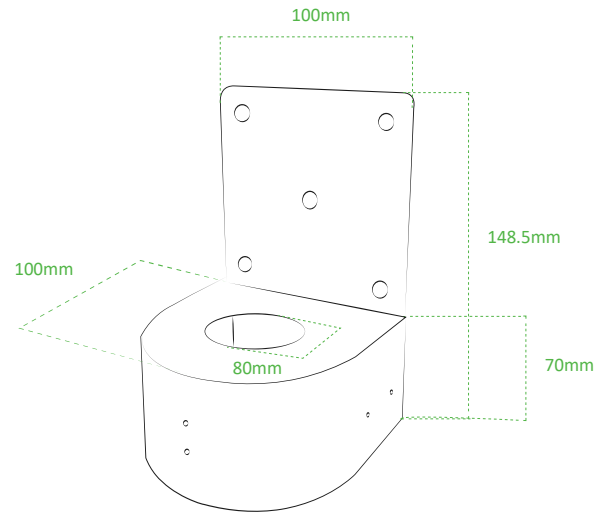
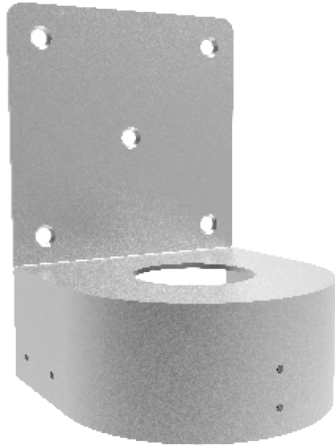


Side view



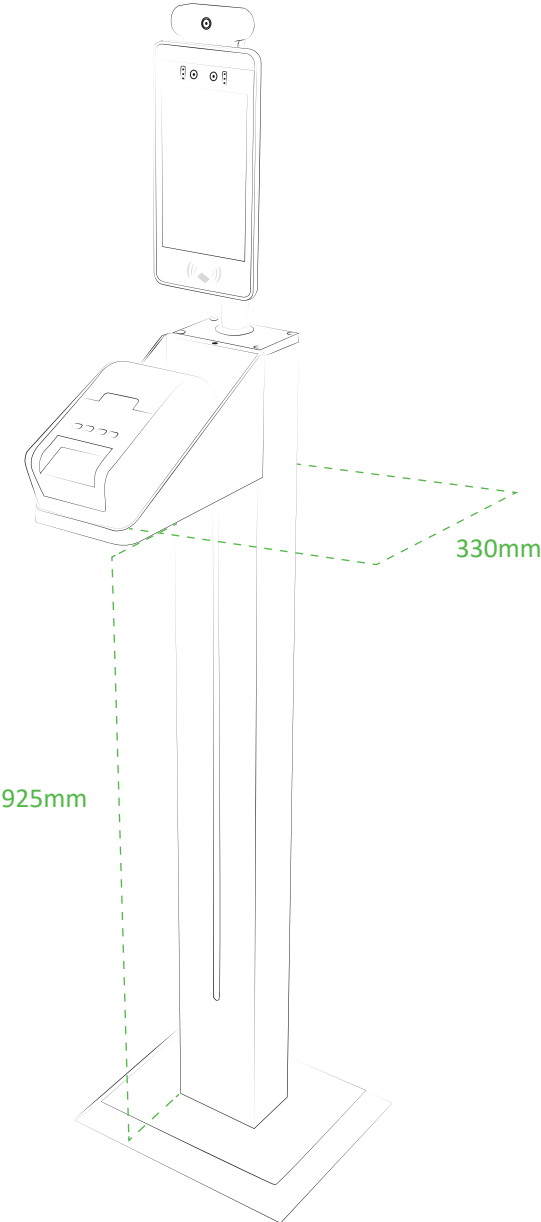
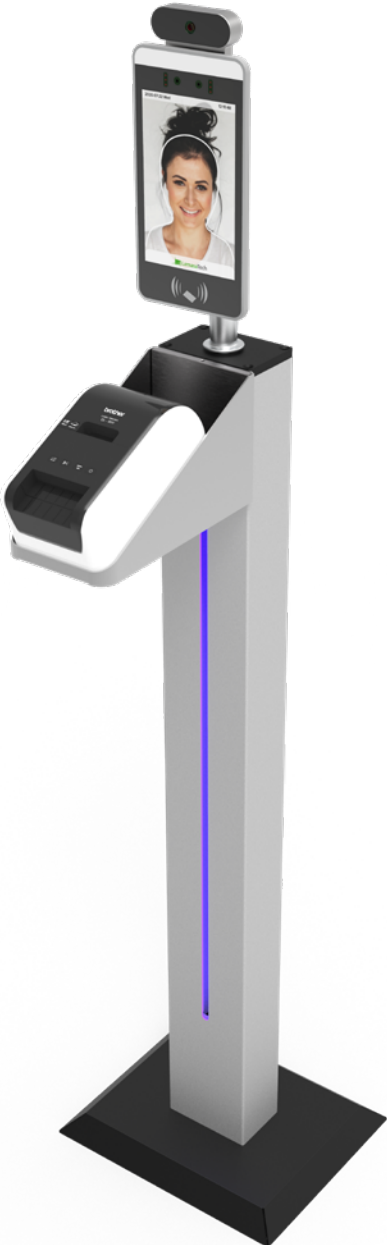
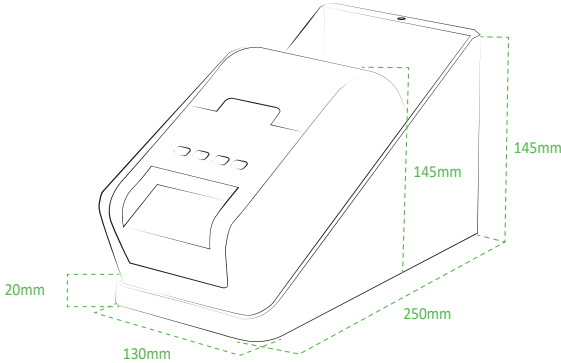
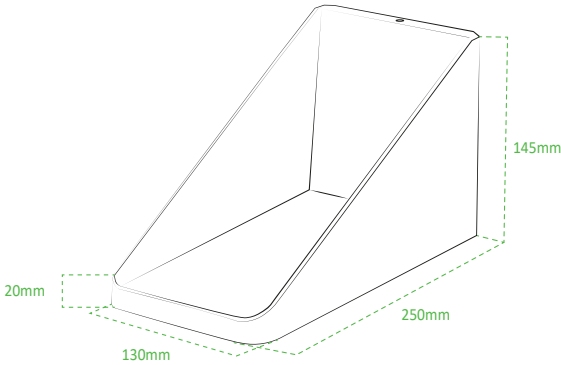
Technical Drawings

Wall Mount



Technical Drawings

Printer mount

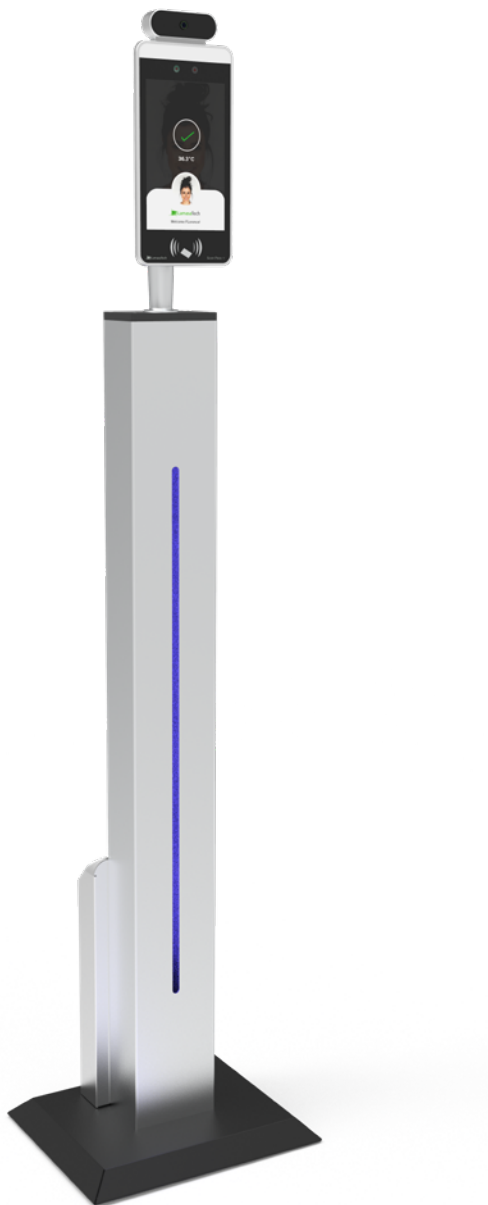
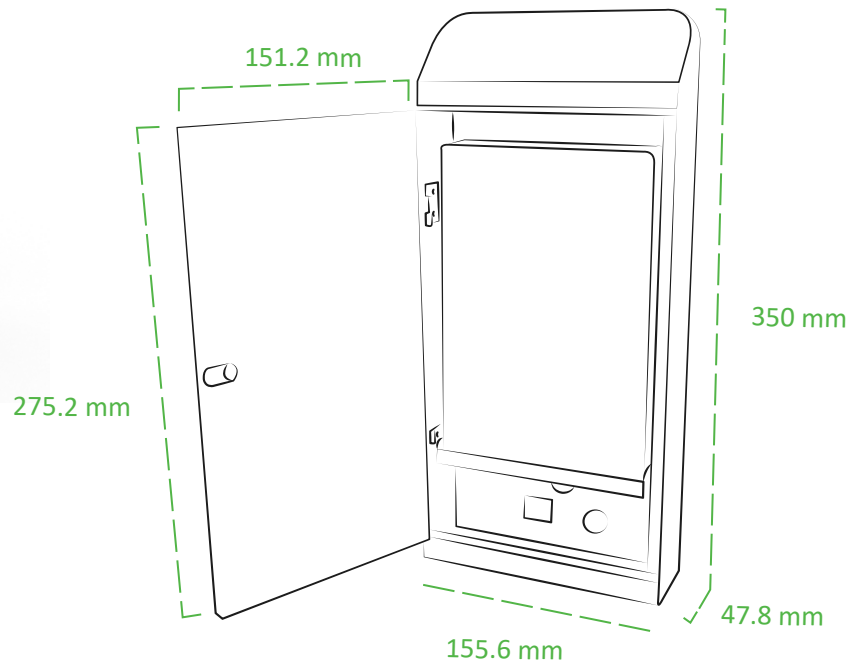


Technical Drawings

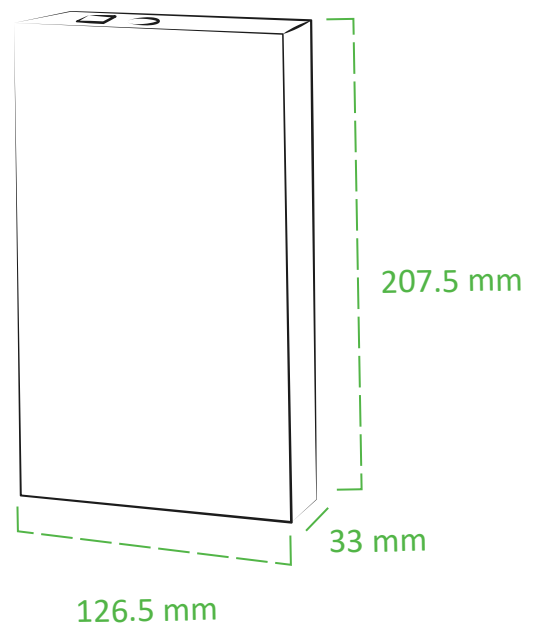
Zentron battery pack



Zentron battery pack with case,
cables and charge



Zentron additional
battery pack only





LDI AI-Temp and Zentron 8 Temperature Scanning Kiosks

Industry-leading, automated personnel check-in kiosk.



For more information, please contact
your LDI Account Representative
or visit www.myLDI.com